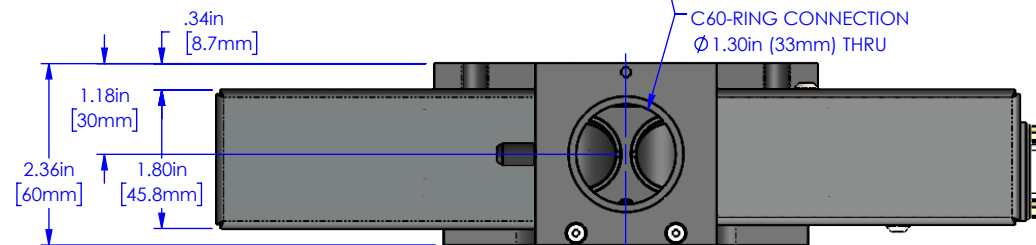
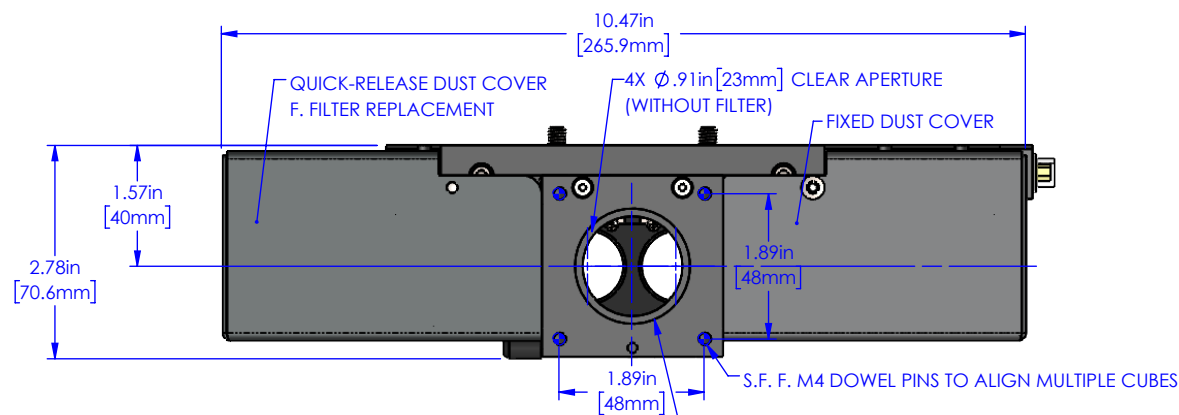
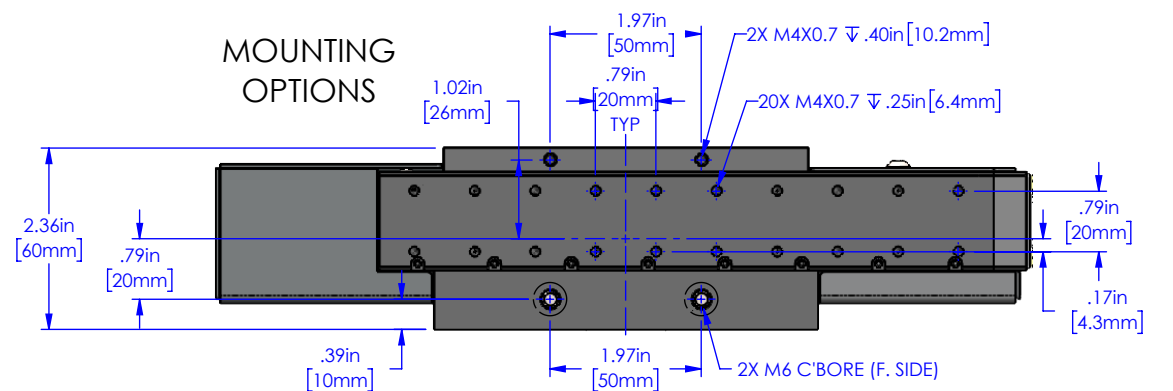
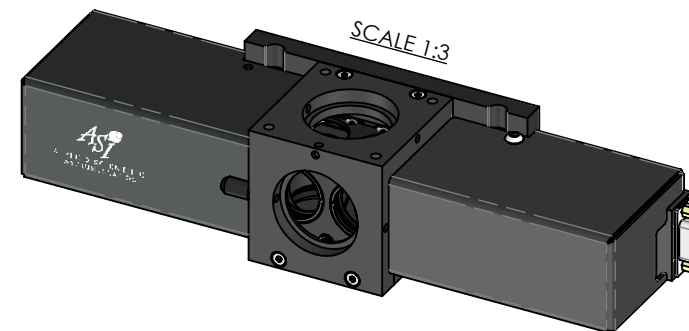
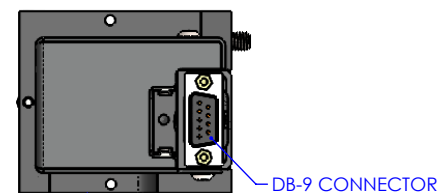


C60-CUBE-SLDR



NOTES:

1. AUTOMATED 4-POSITION FILTER CUBE SLIDER PROVIDES AUTOMATED SWITCHING OF DICHOIC, EMISSION, AND EXCITATION FILTERS
2. CAN BE USED STAND-ALONE OR MOUNTED TO LS-50 FOCUS ASSEMBLY WITH C60-RA-OBJ-FC-MNT
3. TYPICAL SWITCH TIME BETWEEN ADJACENT FILTERS < 250 MS
4. 2-PART DUST COVER OPTIONAL
5. OPTICS CAPACITY:
EMISSION FILTERS: \varnothing 25MM
EXCITATION FILTERS: \varnothing 25MM
DICHOIC: UP TO 25.5X36X1MM



C60-RING CONNECTION



PROPRIETARY AND CONFIDENTIAL

THE INFORMATION CONTAINED IN THIS DRAWING IS THE SOLE PROPERTY OF APPLIED SCIENTIFIC INSTRUMENTATION. ANY REPRODUCTION IN PART OR AS A WHOLE WITHOUT THE WRITTEN PERMISSION OF APPLIED SCIENTIFIC INSTRUMENTATION IS PROHIBITED.

APPLIED SCIENTIFIC INSTRUMENTATION

29391 W ENID RD
EUGENE, OR 97402-9533
PHONE: (541)461-8181
FAX: (541)461-4018

UNLESS OTHERWISE SPECIFIED
.xx \pm .01
.xxx \pm .005
.xxxx \pm .0002
FRACTIONS \pm 1/32
ANGLES \pm 1°

DESCRIPTION

**C60 - FILTER CUBE SLIDER
- \varnothing 25mm, 4 POSITION**

DRAWN BY/DATE

M.ANTHONY 3/15/23

CHECKED BY/DATE

V.MARSO 3/15/23

SCALE

1:2.5

REV

0

MATERIAL

-

DRAWING #

C60-4CUBE-SLDR (CATALOG DRAWING).SLDDRW